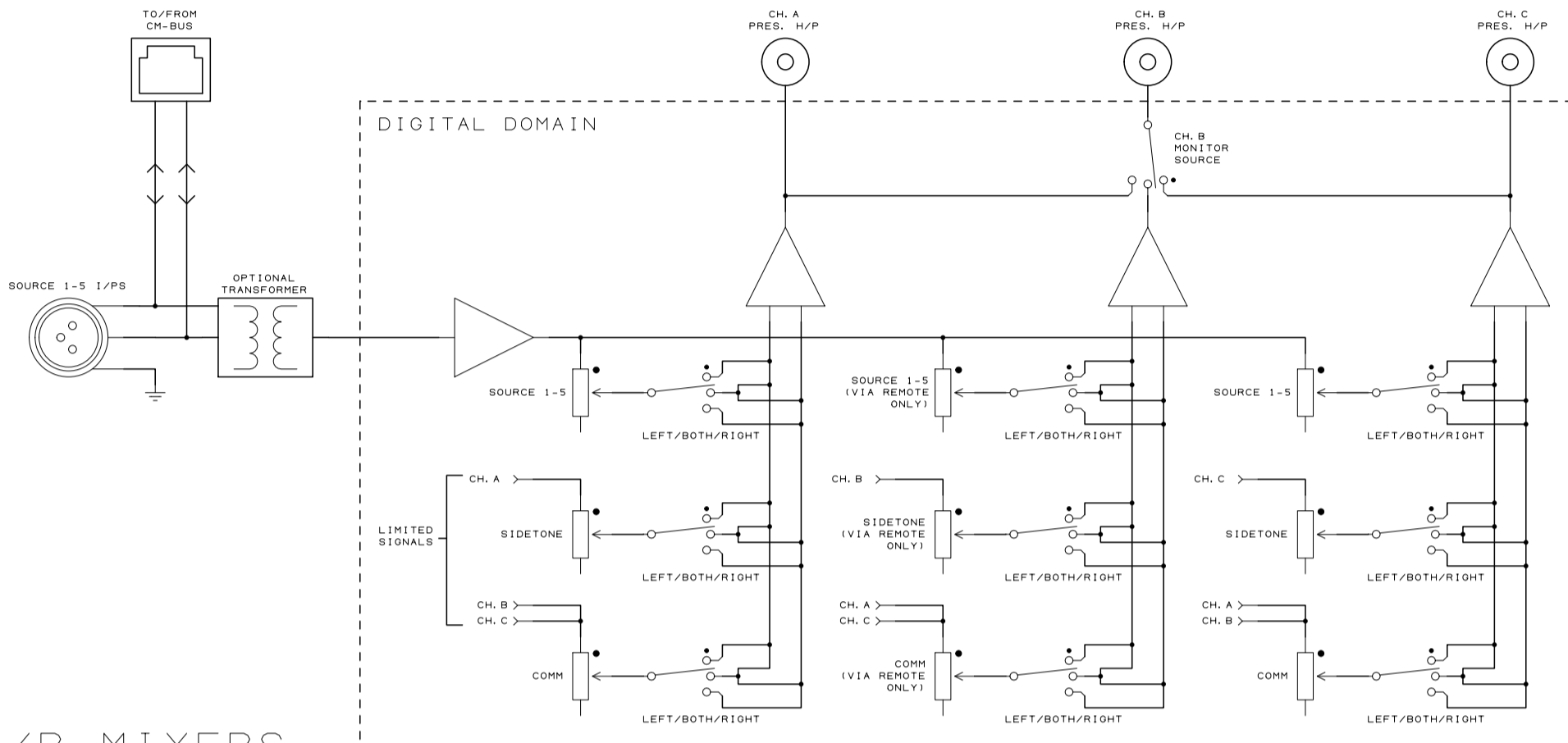
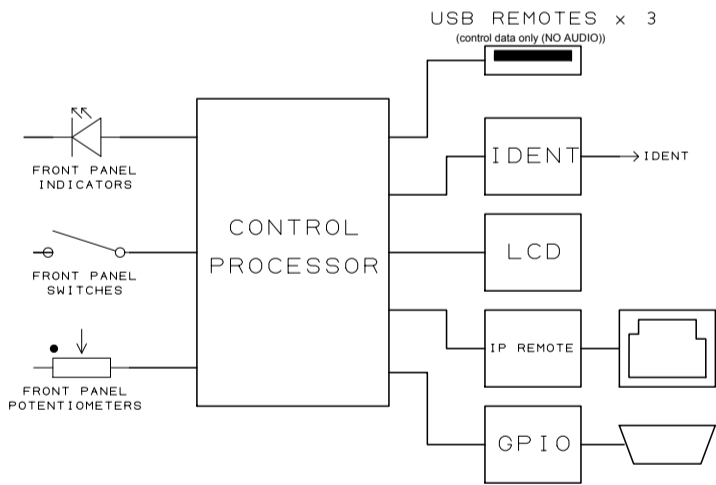


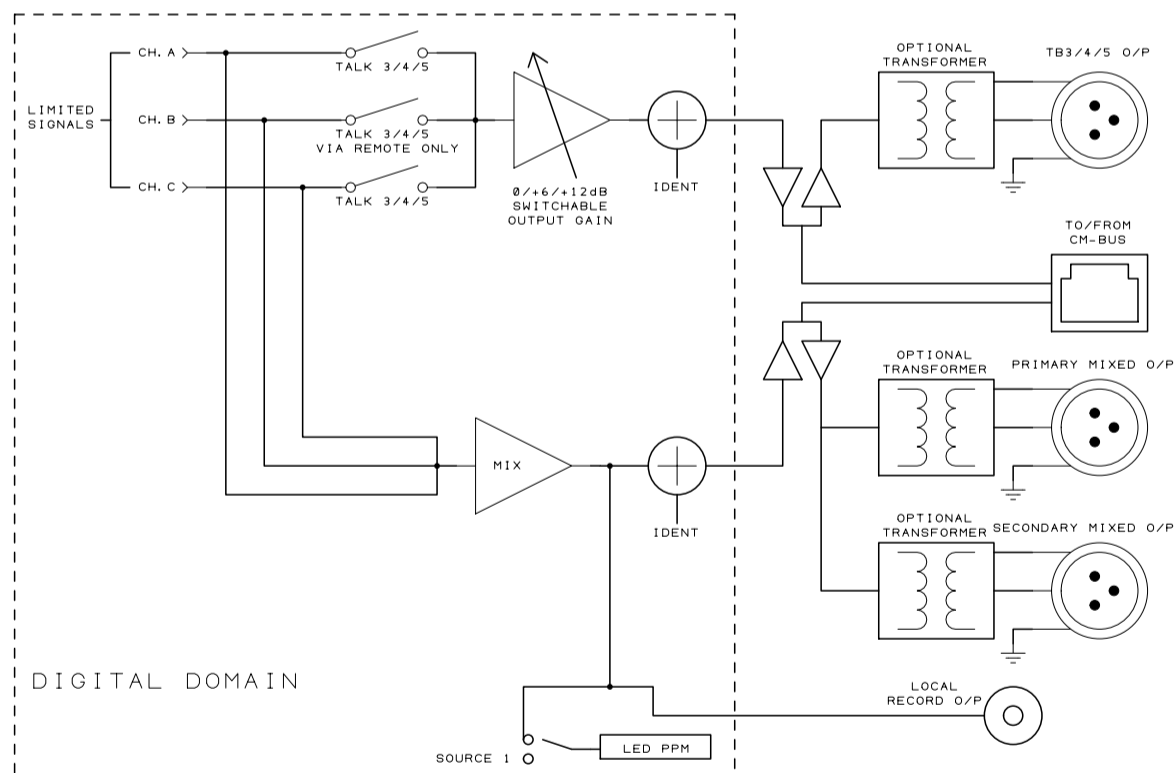
CHANNEL I/O (ONE CHANNEL SHOWN, OTHERS IDENTICAL)



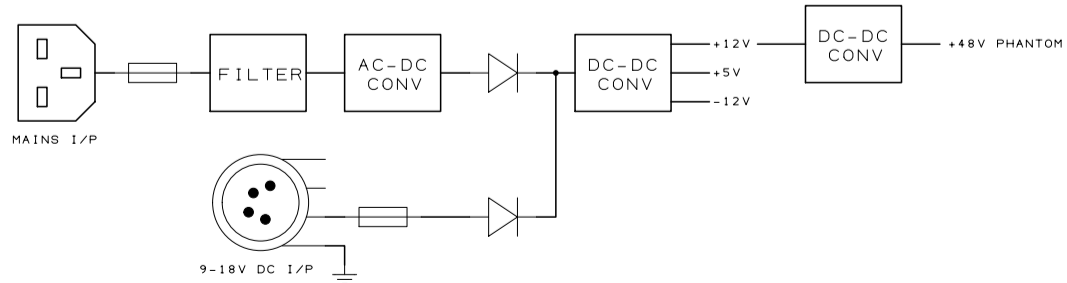
H/P MIXERS



CONTROL



MIXED & TB OUTPUTS



POWER SUPPLY

ISSUE	1	2
DATE	23/9/11	10/12/13
DRAWN	SJL	GGD

(c) GLENSOUND

SUBJECT TALENT BOX COMMENTATOR UNIT

DRG. REF. TALENT BOX WITH ANALOGUE I/O BLOCK DIAGRAM

 GLENSOUND ELECTRONICS LTD.